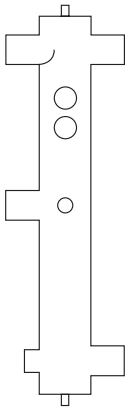
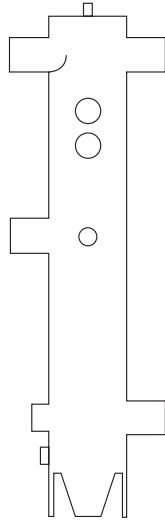
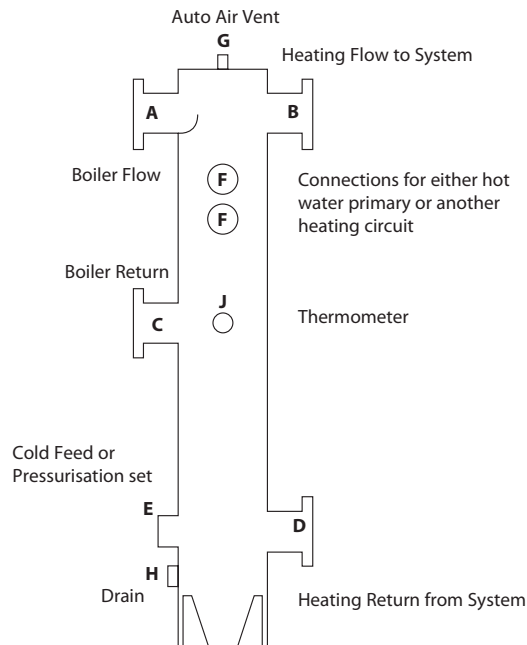


BSV 50**BSV 100**

Balanced Header

Key advantages of the balanced header

- For easy connection of all types of ACV boilers to various primary circuits, up to 800kW
- Blends system return water to avoid cold return to boiler and reduce boiler cycling
- Traps sediment and other system debris so that boilers are not contaminated
- Drain point at bottom to facilitate sediment removal

BSV 150 & 200**Connection Sizes**

	BSV 50	BSV 100	BSV 150	BSV 200
A	Screwed 1.5" BSP (F)	Screwed 65	Flanged 80	Flanged 100
B	Screwed 1.5" BSP (F)	Screwed 65	Flanged 80	Flanged 100
C	Screwed 1.5" BSP (F)	Screwed 65	Flanged 80	Flanged 100
D	Screwed 1.5" BSP (F)	Screwed 65	Flanged 80	Flanged 100
E	Screwed 0.5" BSP (F)	Screwed 50	Screwed 50	Screwed 50
F	Screwed 1.0" BSP (F)	Screwed 50	Screwed 50	Screwed 50
G	Screwed 0.5" BSP (F)	Screwed 25	Screwed 25	Screwed 25
H	Screwed 0.5" BSP (F)	Screwed 25	Screwed 25	Screwed 25
J	Screwed 0.5" BSP (F)	Screwed 20	Screwed 20	Screwed 20

All dimensions in mm unless stated.

BSV 150 supplied with 3" table E and counter flanges (weld type).

BSV 200 supplied with 4" table E and counter flanges (weld type).

