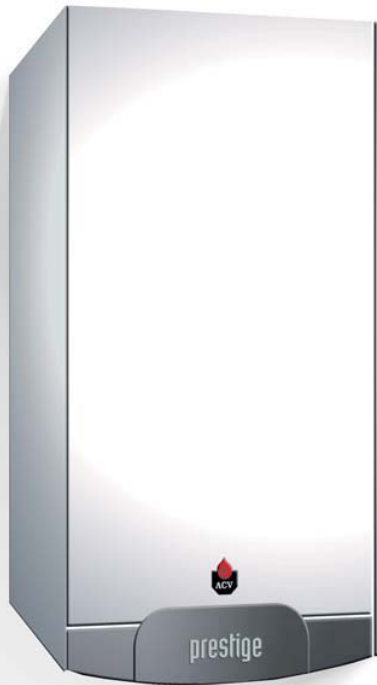


Prestige 24-32

High efficiency domestic wall mounted gas condensing boiler. Stainless steel construction with self-cleaning flue ways.



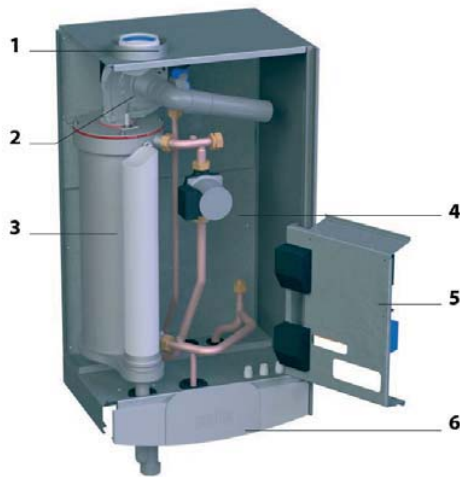
Prestige Solo - System boiler

The Prestige Solo is designed to operate as either a heating only unit, or, for optimum heating and hot water performance, can be linked to one of the SmartLine range.

The prestige can accommodate within its control centre, temperature regulation/full burner modulation via room thermostat, climate control with an outside sensor (optional), and with a combination of outside sensor and room thermostat.

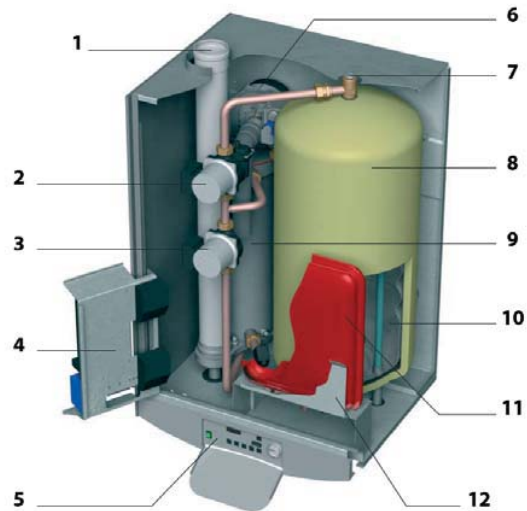
Prestige Excellence - Combination boiler

Incorporated within the jacket, is a 62 litre (total capacity) stainless steel Tank-in-Tank. The Prestige 32 Excellence delivers 224 litres of hot water at 40°C in ten minutes. The Prestige range offers the same anti-scaling, legionella and bacteria risk reduction as all our ACV Domestic Hot Water products.



Prestige Solo

1. Chimney connection (concentric tubes \varnothing 80/125mm)
2. Burner, premix and modulating
3. Heat exchanger, stainless steel
4. Pump, central heating
5. Electrical panel (the control boxes on the rear are optional)
6. Control panel



Prestige Excellence

1. Chimney connection (concentric tubes \varnothing 80/125mm)
2. DHW pump with integrated air vent
3. Pump, central heating
4. Electrical panel (the control boxes on the rear are optional)
5. Control panel
6. Burner, premix and modulating
7. Manual air vent
8. Water heater 62 litres
9. Heat exchanger, stainless steel
10. Hot water storage tank, stainless steel
11. Expansion vessel
12. Bracket for expansion vessel

Technical Data

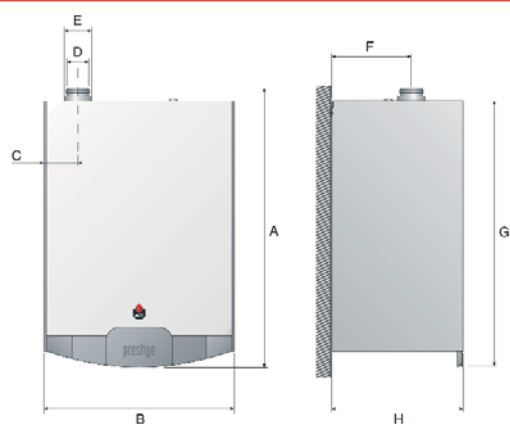
		Solo 24	Solo 32	Excellence 24	Excellence 32
Input	kW	5.9 - 24	7 - 32	5.9 - 24	7 - 32
Max output 60/80°C	kW	23.3	30.8	23.3	30.8
Min output 60/80°C	kW	5.8	5.8	5.8	5.8
Efficiency max output 30/45°C	%	105	104	104.5	104.5
Efficiency min output 30/45°C	%	107	107	109	109
SEDBUK rating		A	A	A	A
CO emissions max/min	mg/kWh	45/20	52/20	45/20	52/20
NOx emissions (EN483)	mg/kWh	66	66	66	66
NOx classification		5	5	5	5
Flue gas temperature - 30/45°C	°C	65	77	65	77
Flue gas temperature - 60/80°C	°C	92	108	92	108
Primary capacity	L	8	8	16	16
Total capacity	L	8	8	70	70
DHW connection (female BSP)	Ø	n/a	n/a	1/2"	1/2"
Primary connection (female BSP)	Ø	1"	1"	1"	1"
Gas connection (male BSP)	Ø	3/4"	3/4"	3/4"	3/4"
Minimum gas pressure	mbar	20	20	20	20
Flue connection	Ø mm	80/125	80/125	80/125	80/125
Max flue length	m	20	20	20	20
Weight empty	kg	50	50	86	86
Weight full	kg	58	58	156	156
Natural gas flow rate - 20mb	m³/h	2.5	3.4	2.5	3.4
Pressure drop	mbar	131	210	131	210
Maximum operating temperature	°C	90	90	90	90

Maximum operating pressure Primary: 3 bar Secondary: 10 bar (Excellence)

Performance Data

		Solo 24	Solo 32	Excellence 24	Excellence 32
Litres in first 10 minutes	40°C	n/a	n/a	175	224
Litres in first 10 minutes	60°C	n/a	n/a	102	103
Litres in first hour	40°C	n/a	n/a	733	835
Litres in first hour	60°C	n/a	n/a	352	353
Continuous flow 40°C	Ltrs/hr	n/a	n/a	653	745
Continuous flow 60°C	Ltrs/hr	n/a	n/a	316	320

Dimensions



	24 Solo	24 Excellence	32 Solo	32 Excellence
A	970mm	1030mm	970mm	1030mm
B	502mm	632mm	502mm	632mm
C	107mm	110mm	107mm	110mm
D	80mm	80mm	80mm	80mm
E	125mm	125mm	125mm	125mm
F	300mm	300mm	300mm	300mm
G	930mm	1000mm	930mm	1000mm
H	400mm	535mm	400mm	535mm